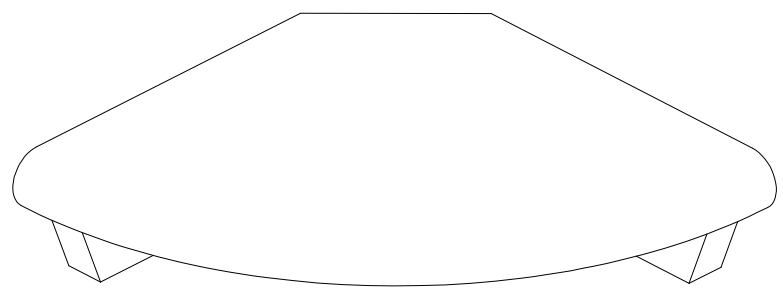
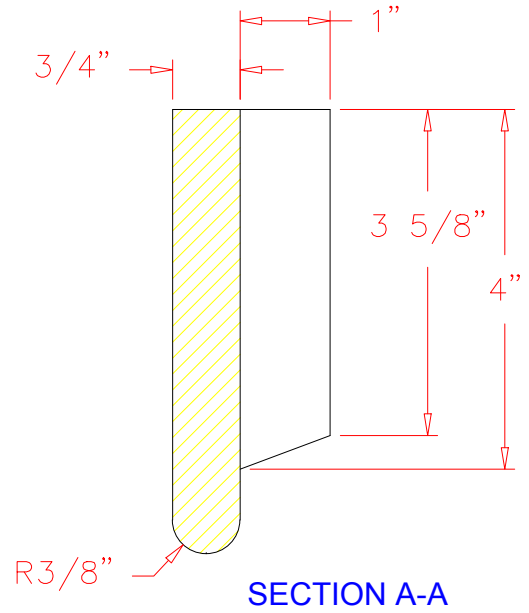
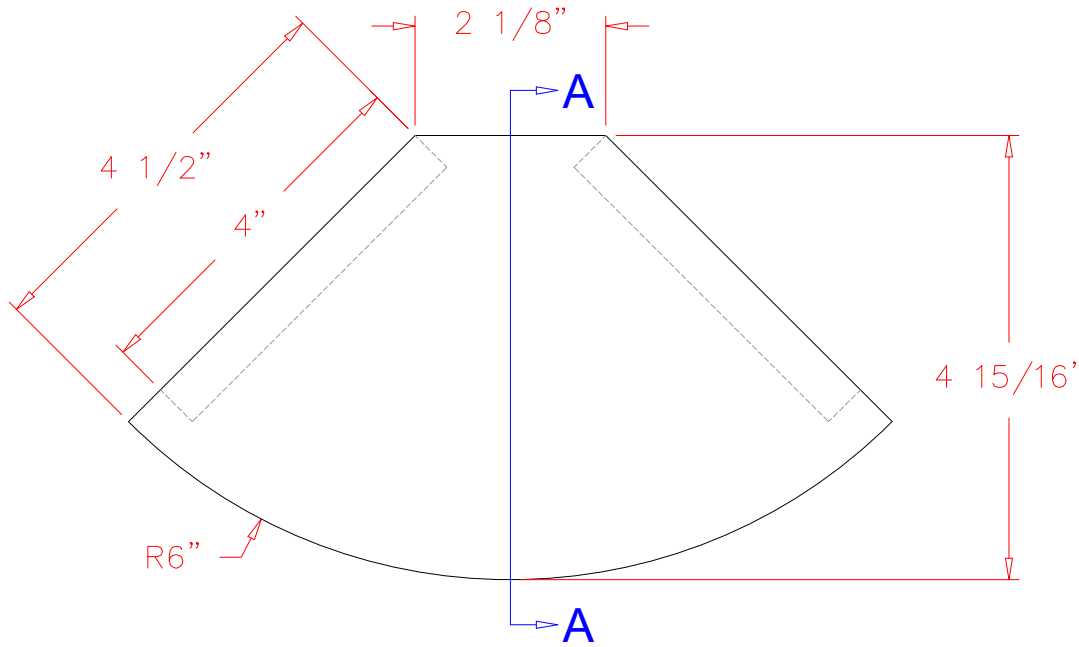


Rev #			
Rev #			



5484 NW 80th Ave Rd
 Ocala, FL 34482
 (704) 907 9838
www.wiltcherindustries.com

Part Number:		7SPC0117500	
Description: Fabricated Footrest / Overall Dimensions and Details			
Date Drawn:	03 / 06 / 2013	Weight:	
Drawn By: Carlos Hernandez		Scale:	None
Approved By:		Revised By:	
		Date Revised:	

Customer Approval: _____ Date: _____
 Path: @Engineering\