





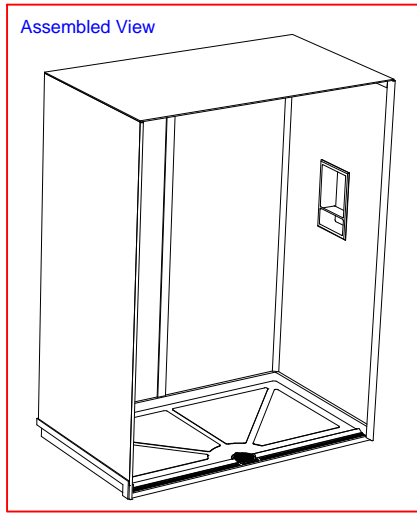
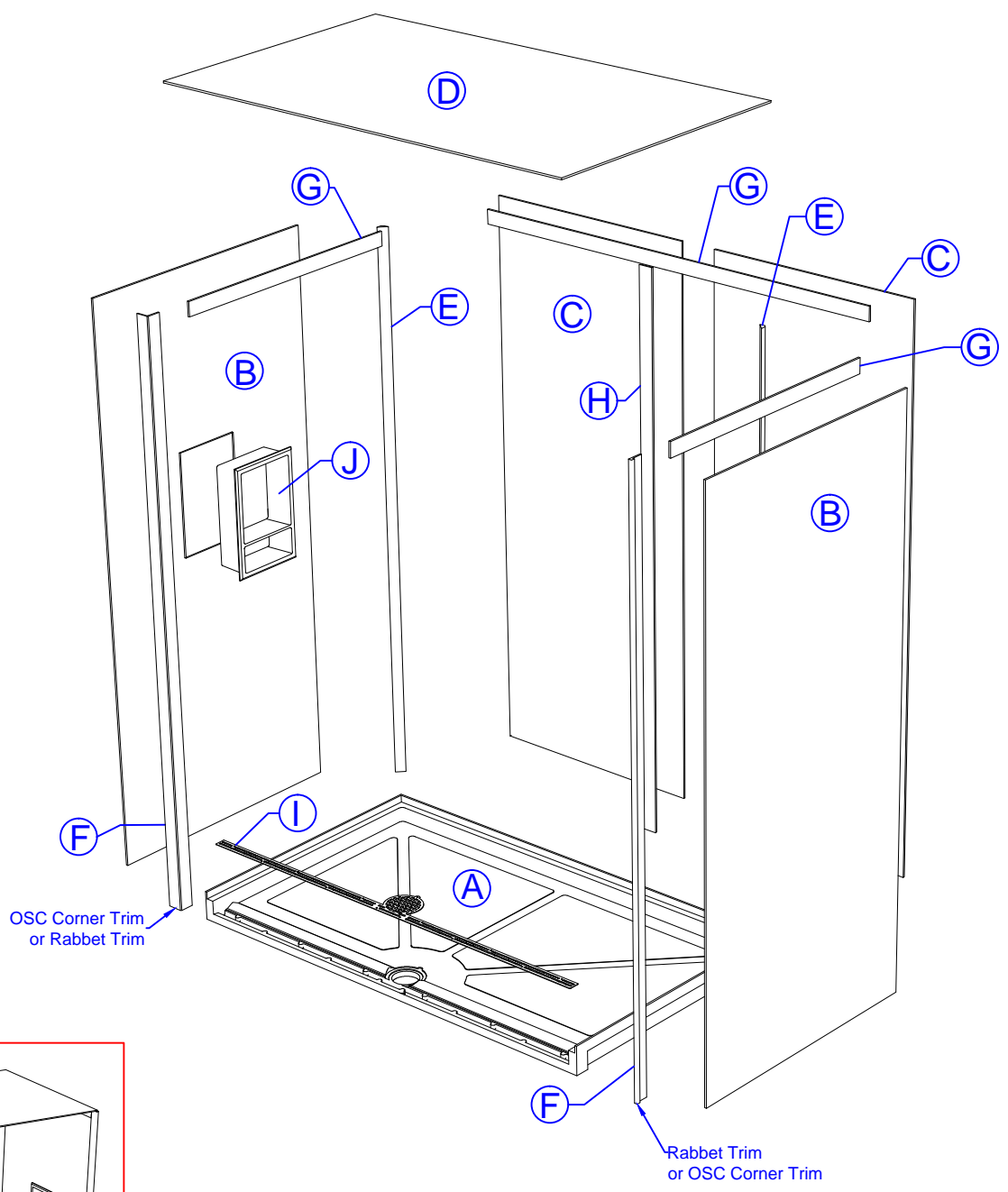
**TRENCH DRAIN ADA
SHOWER PAN SYSTEM**


Part List.

Rev #		
Rev #		

(A)	Trench Drain ADA Shower Pan.
(B)	Side Wall Panels (X2)
(C)	Back Wall Panel (X2)
(D)	Ceiling Panel (X1)
(E)	Hospital Corner Strip (X2)
(F)	Vertical Trim (OSC Outside Corner Trim Or Rabbet Trim)
(G)	Horizontal Trim (Flat Batten Trim)
(H)	Wall Panel Joint Trim (Flat Batten Vertical)
(I)	Stainless Steel Trench Drain Cover (x1)
(J)	Shower Caddy (Optional Accessory)

	Hospital Corner Strip
	Flat Batten Trim
	OSC Outside Corner Trim
	Rabbet Trim



 <p>WILTCHER INDUSTRIES, INC. EST. 1963</p> <p>5484 NW 80th Avenue Rd. Ocala, FL 34482 (704) 907 9838 www.wiltcherindustries.com</p>	Part Number:					
	Description:	Trench Drain ADA Shower Pan / Part List				
	Date Drawn:	07 / 04 / 2013	Weight:		Scale:	None
	Drawn By:	Carlos Hernandez	Revised By:			
	Approved By:		Date Revised:			