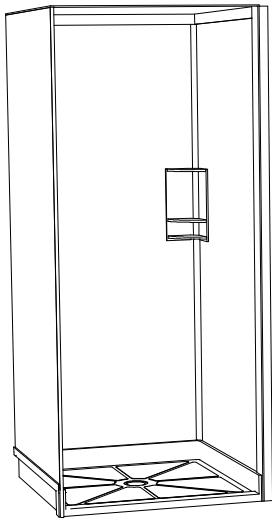


| | | |
|-------|--|--|
| Rev # | | |
| Rev # | | |



Assembled View

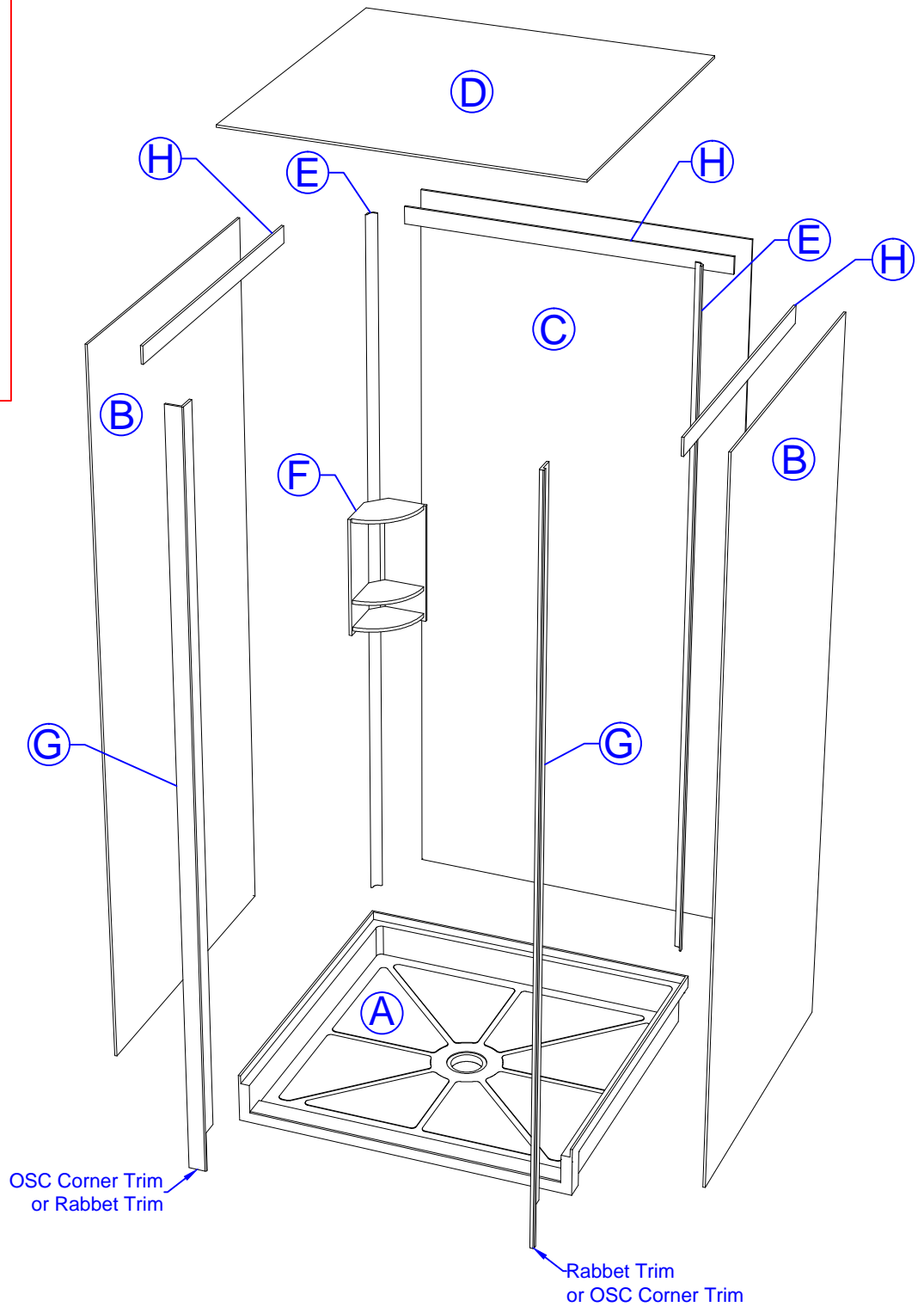
TRANSFER TYPE ADA SHOWER PAN SYSTEM

Part List

| | |
|------------|--|
| (A) | Transfer Type ADA Shower Pan. |
| (B) | Side Wall Panels (X2) |
| (C) | Back Wall Panel (X1) |
| (D) | Ceiling Panel (X1) |
| (E) | Corner Cove Trim (X2) |
| (F) | Shampoo Caddy (Optional Accessory) |
| (G) | Vertical Trim (OSC Outside Corner Trim or Rabbet Trim) |
| (H) | Horizontal Trim (Flat Batten Trim) |

Required Trims

| | |
|--|-------------------------|
| | Corner Cove Trim |
| | Flat Batten Trim |
| | OSC Outside Corner Trim |
| | Rabbet Trim |



| | | | | | | |
|--|--------------|--------------------------------------|---------------|--|--------|------|
| <p>WILTCHER INDUSTRIES, INC. EST. 1963</p> <p>5484 NW 80th Avenue Rd Ocala, FL 34482 (704) 907 9838 www.wiltcherindustries.com</p> | Part Number: | | | | | |
| | Description: | Transfer Type Shower Pan / Part List | | | | |
| | Date Drawn: | 07 / 08 / 2013 | Weight: | | Scale: | None |
| | Drawn By: | Carlos Hernandez | Revised By: | | | |
| | Approved By: | | Date Revised: | | | |