





ADA ROLL-IN SHOWER PAN
COLLAPSIBLE THRESHOLD SYSTEM

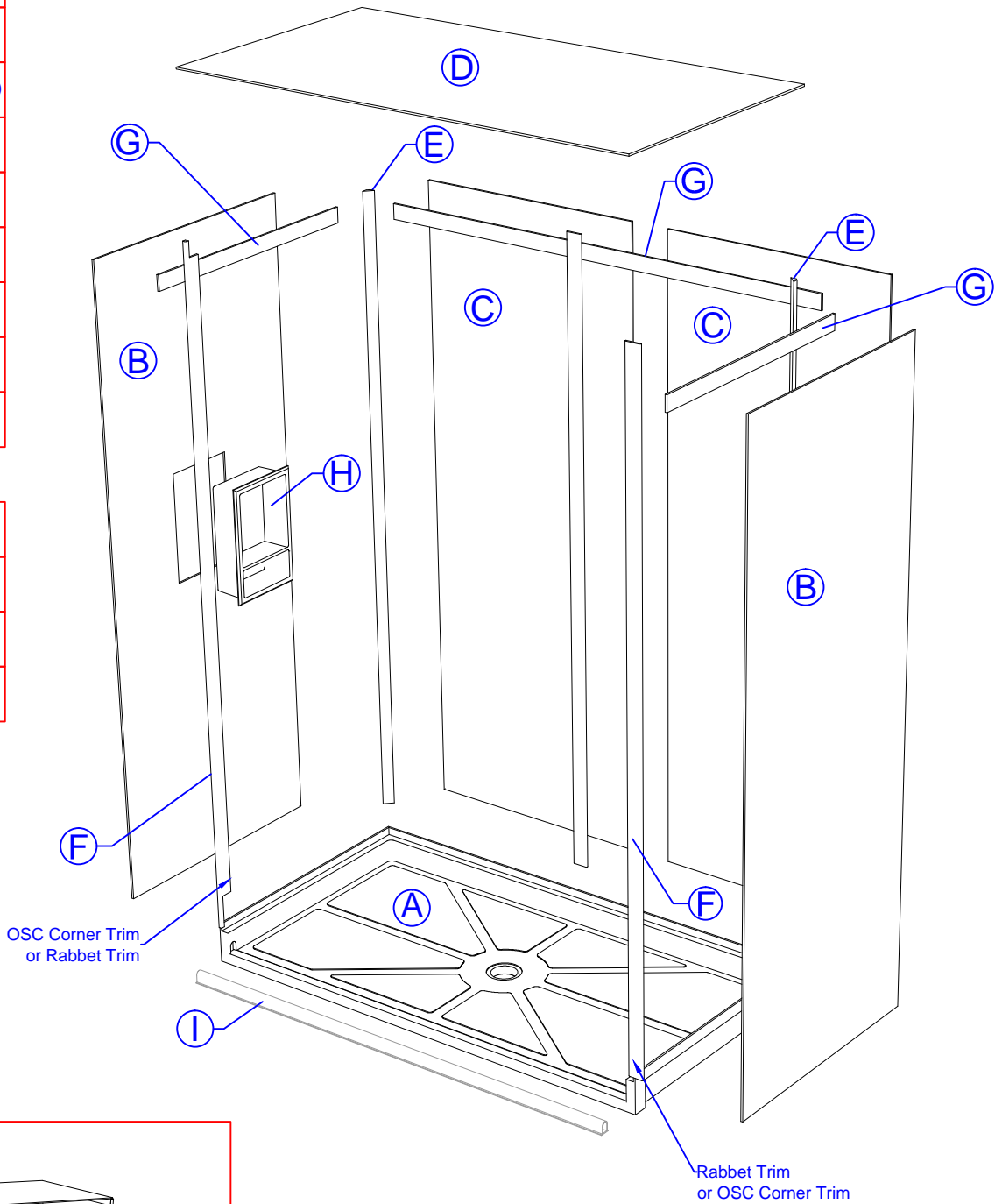
| | | |
|-------|--|--|
| Rev # | | |
| Rev # | | |

Part List.

| | |
|-----|--|
| (A) | ADA Roll-In Shower Pan. |
| (B) | Side Wall Panels (X2) |
| (C) | Back Wall Panels (X2) |
| (D) | Ceiling Panel (X1) |
| (E) | Hospital Corner Strip (X2) |
| (F) | Vertical Trim (OSC Outside Corner Trim or Rabbet Trim) |
| (G) | Horizontal Trim (Flat Batten Trim) |
| (H) | Shower Caddy (Optional Accessory) |
| (I) | Rubber Collapsible Threshold |

Required Trims

| | |
|---|-------------------------|
|  | Hospital Corner Strip |
|  | Flat Batten Strip |
|  | OSC Outside Corner Trim |
|  | Rabbet Trim |



5484 NW 80th Avenue Rd
Ocala, FL 34482
(704) 907 9838
www.wiltcherindustries.com

| | | | |
|--------------|---|---------------|-------------|
| Part Number: | | | |
| Description: | ADA Roll-In Collapsible Threshold System Shower Pan / Part List | | |
| Date Drawn: | 07 / 10 / 2013 | Weight: | Scale: None |
| Drawn By: | Carlos Hernandez | Revised By: | |
| Approved By: | | Date Revised: | |