





ADA ROLL-IN SHOWER PAN
COLLAPSIBLE THRESHOLD SYSTEM

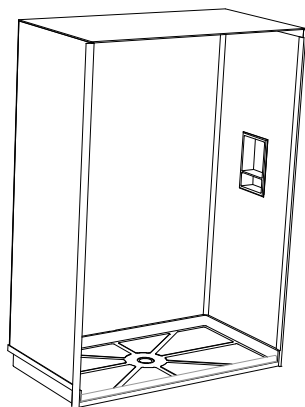
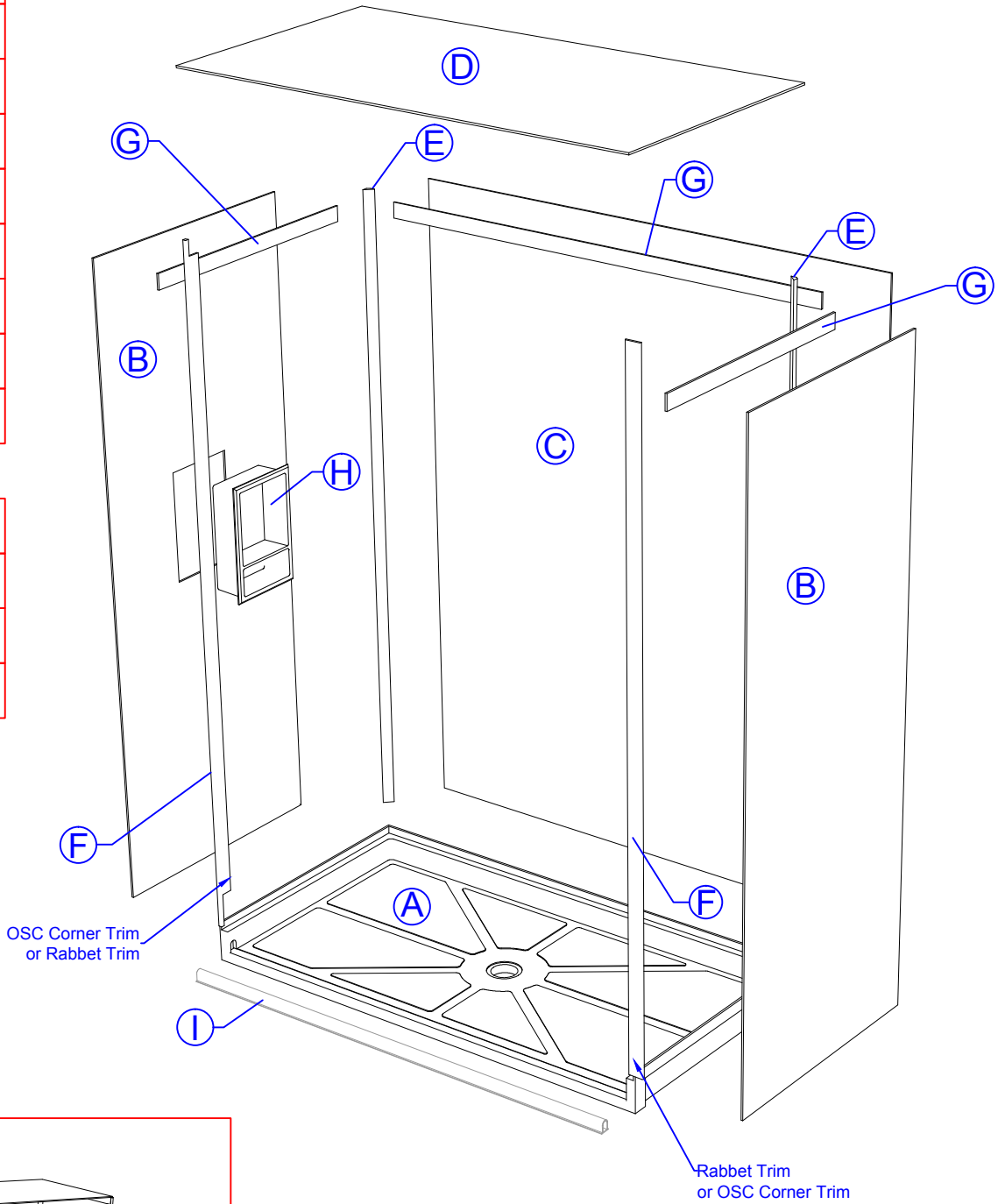
Rev #		
Rev #		

Part List.

(A)	ADA Roll-In Shower Pan.
(B)	Side Wall Panels (X2)
(C)	Back Wall Panel (X1)
(D)	Ceiling Panel (X1)
(E)	Hospital Corner Strip (X2)
(F)	Vertical Trim (OSC Outside Corner Trim or Rabbet Trim)
(G)	Horizontal Trim (Flat Batten Trim)
(H)	Shower Caddy (Optional Accessory)
(I)	Rubber Collapsible Threshold

Required Trims

	Hospital Corner Strip
	Flat Batten Strip
	OSC Outside Corner Trim
	Rabbet Trim



5484 NW 80th Ave Rd
Ocala, FL 34482
(704) 907 9838
www.wiltcherindustries.com

Part Number:			
Description:	ADA Roll-In Collapsible Threshold System Shower Pan / Part List		
Date Drawn:	07 / 10 / 2013	Weight:	Scale: None
Drawn By:	Carlos Hernandez	Revised By:	
Approved By:		Date Revised:	