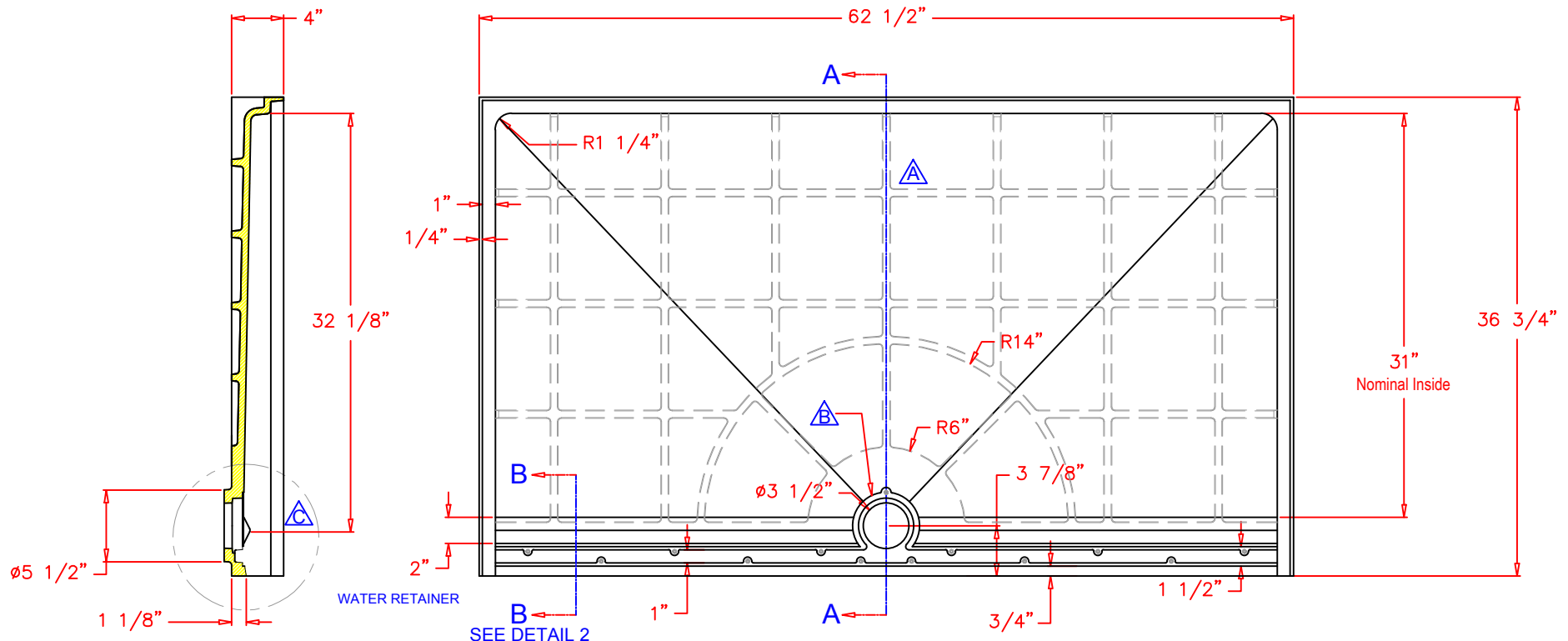
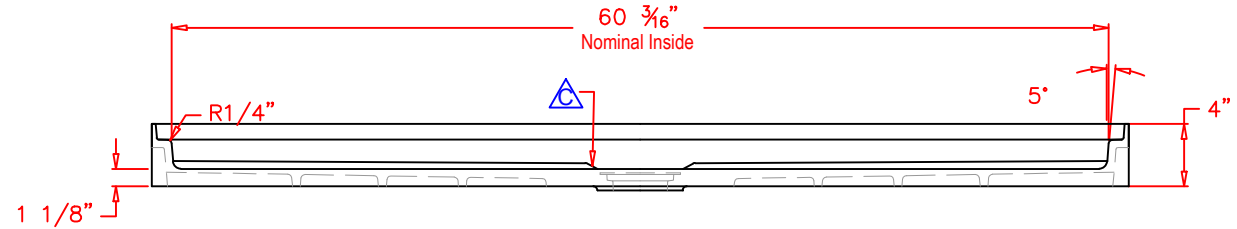


Rev #		
Rev #		



SECTION A-A
SEE DETAIL 1

SLOPE OF FLOOR IS 1.2° DIRECTED TO DRAIN



5484 NW 80th Ave Rd
Ocala, FL 34482
(704) 907 9838
www.wiltcherindustries.com

Part Number:	7PAN3762AFS		
Description:	ADA Shower Pan with Trench Drain Cover / Overall Dimensions and Sections		
Date Drawn:	01 / 14 / 2013	Weight:	
Scale:	None		
Drawn By:	Carlos Hernandez	Revised By:	
Approved By:		Date Revised:	

Customer Approval: _____ Date: _____
Path: @Engineering\