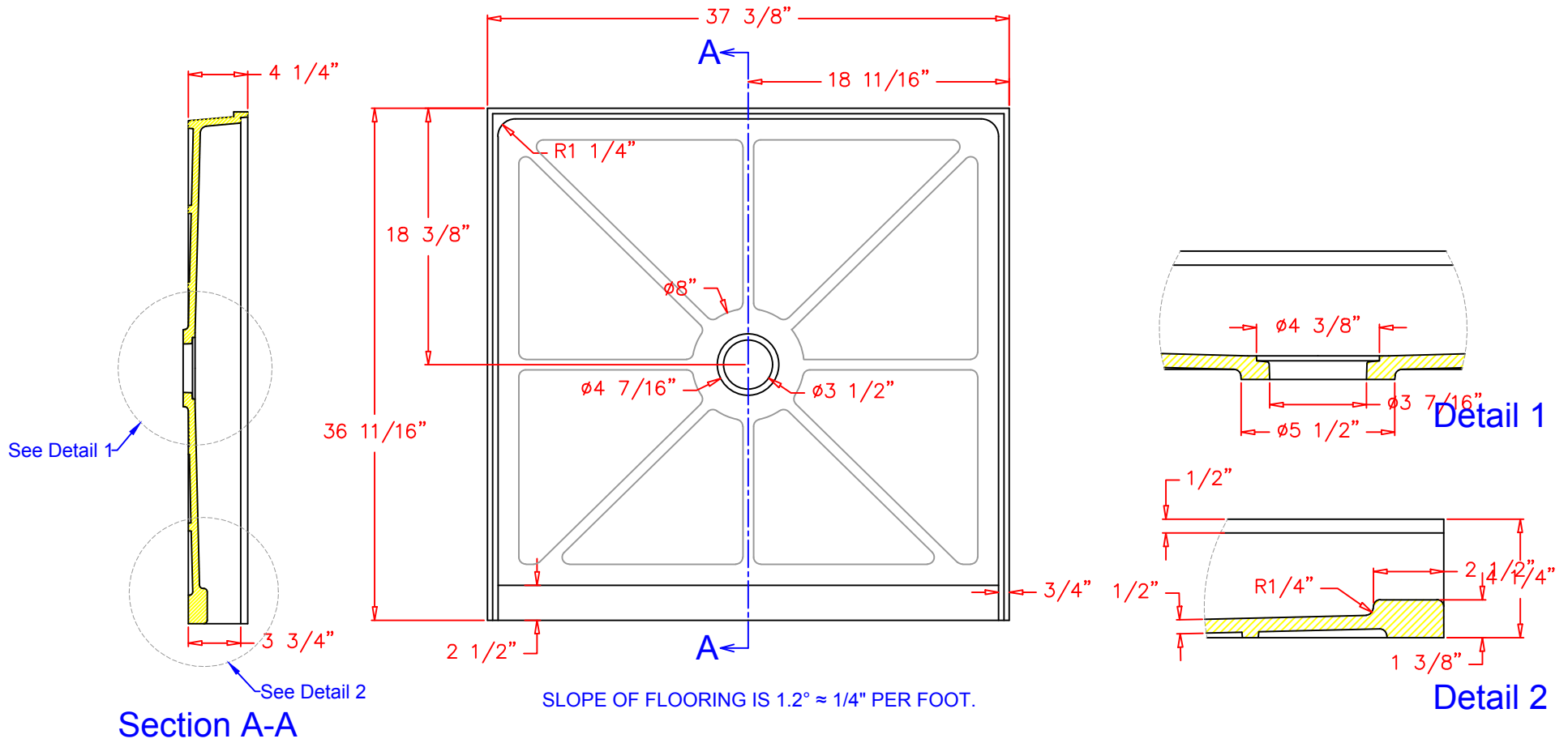


Rev #		
Rev #		



5484 NW 80th Ave Rd  
Ocala, FL 34482  
(704) 907 9838  
www.wiltcherindustries.com

Part Number:	7PAN3636TRF		
Description:	Standard ADA Transfer Shower Pan / Overall Dimensions and Details		
Date Drawn:	01 / 10 / 2013	Weight:	
Scale:	None		
Drawn By:	Carlos Hernandez.	Revised By:	
Approved By:		Date Revised:	

Customer Approval: \_\_\_\_\_ Date: \_\_\_\_\_  
 Path: @Engineering\