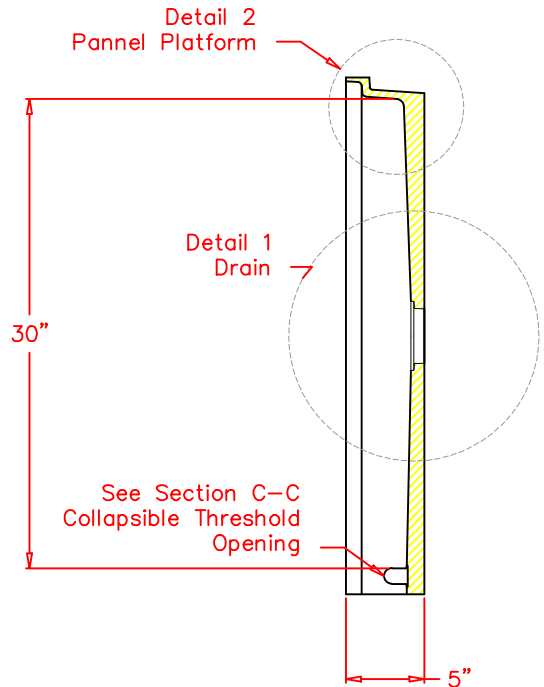
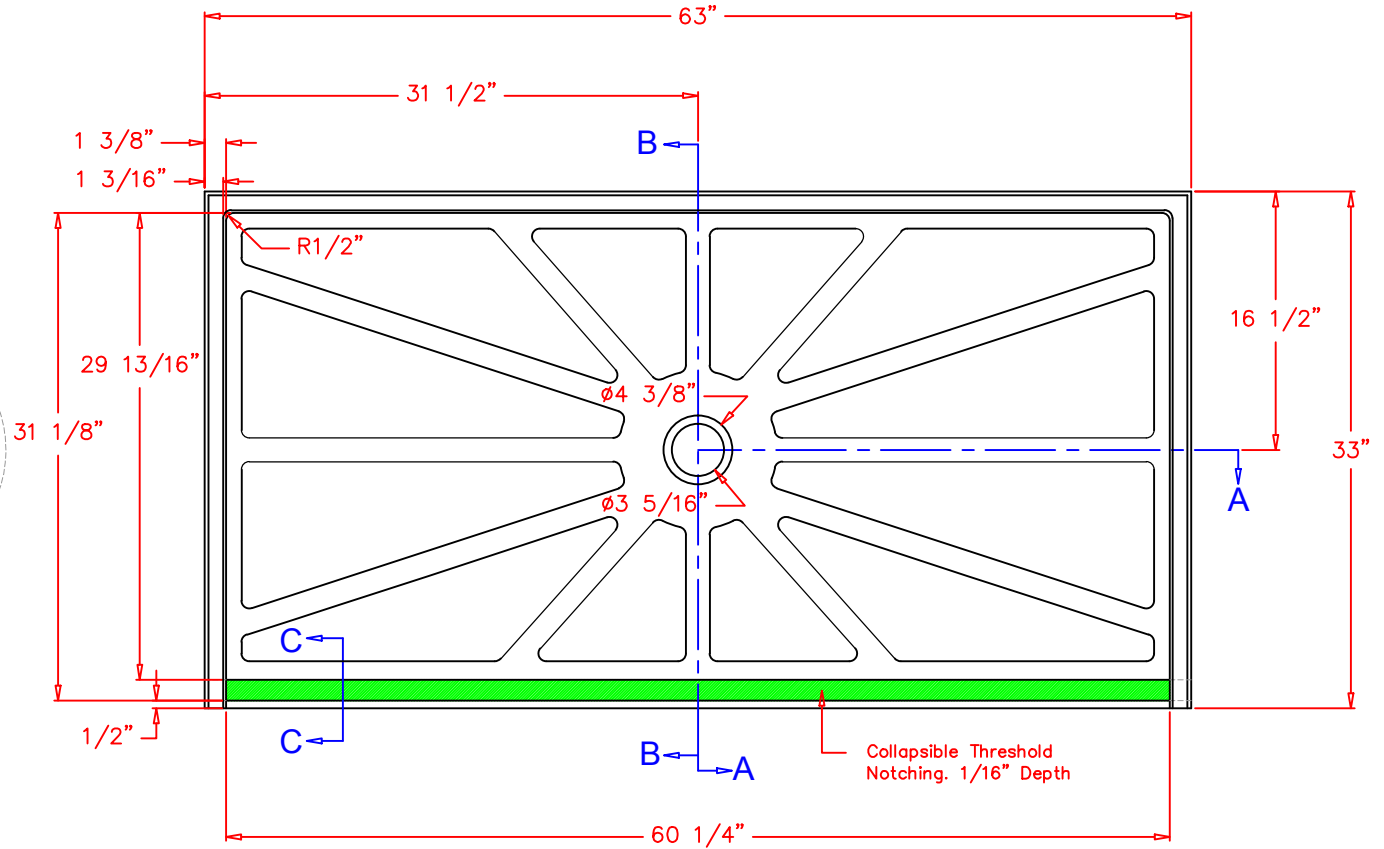


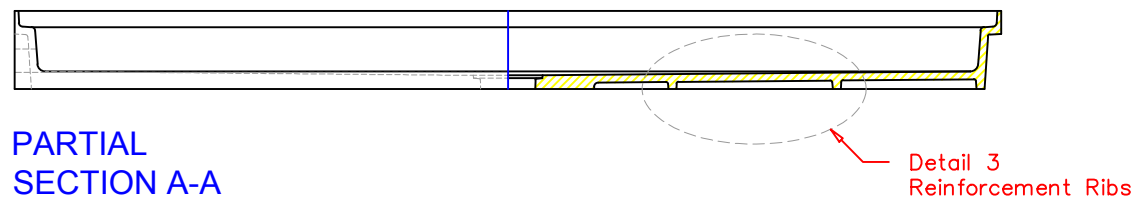
| | | |
|-------|--|--|
| Rev # | | |
| Rev # | | |



SECTION B-B



PARTIAL SECTION A-A



- NOTES:**
1. Pan is to have walls and panel platform on 3 sides. ADA Roll In Configuration with Collapsible Threshold.
 2. 1" Height Water Dam
 3. Height of Pan is to be 4" from bottom of Pan to top of Panel Platform.
 4. Standard Drain Inserted (no center hub).
 5. Attached Collapsible Threshold.
 6. Slope of Flooring is to be 0.250" per foot.



5484 NW 80th Ave Rd
 Ocala, FL 34482
 (704) 907 9838
www.wiltcherindustries.com

| | | | |
|--------------|---------------------------------|---------------|--|
| Part Number: | 7PAN3363ARP | | |
| Description: | Overall Dimensions and Sections | | |
| Date Drawn: | 01 / 14 / 2013 | Weight: | |
| Scale: | None | | |
| Drawn By: | Carlos Hernandez | Revised By: | |
| Approved By: | | Date Revised: | |

Customer Approval: _____ Date: _____
 Path: @Engineering\