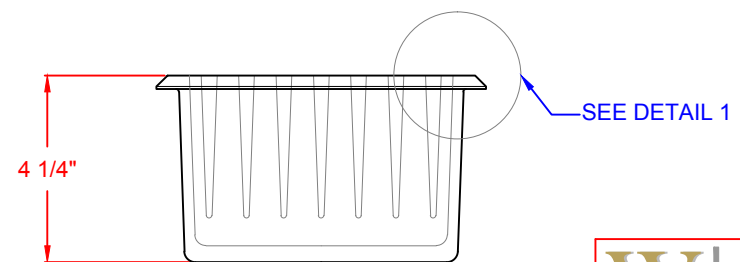
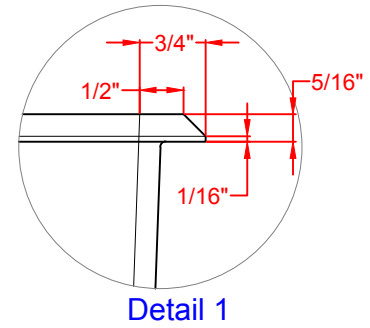
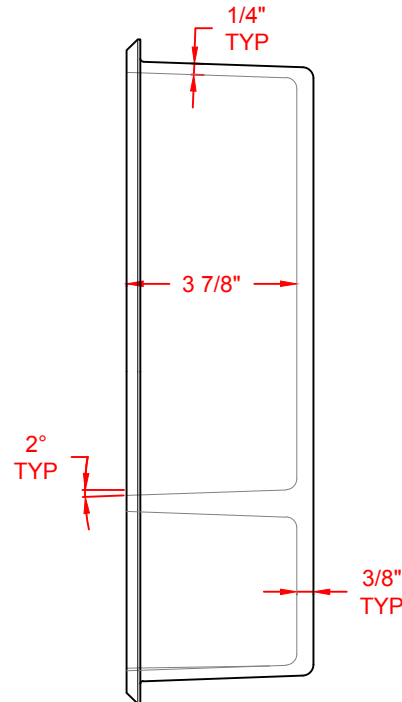
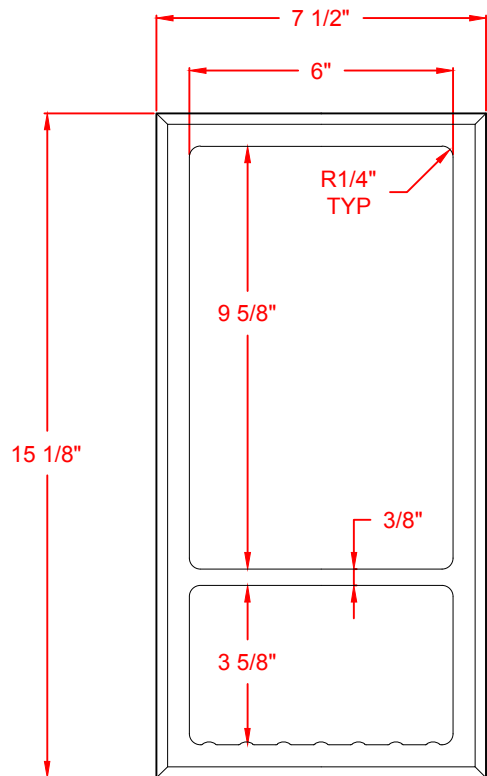


Rev #			
Rev #			



5484 NW 80th Ave Rd
 Ocala, FL 34411 G
 (704) 907 9838
 www.wiltcherindustries.com

Part Number:		7ACCESS0002	
Description:		Shower Caddy 7 /12" x 15"	
Date Drawn:	01 / 09 / 2013	Weight:	
Scale:		None	
Drawn By:		Carlos Hernandez	
Revised By:			
Approved By:			
Date Revised:			

Customer Approval: _____ Date: _____
 Path: @Engineering\