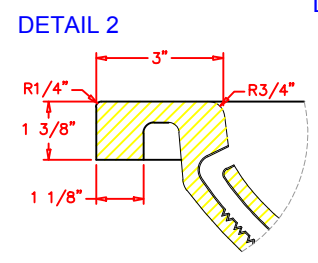
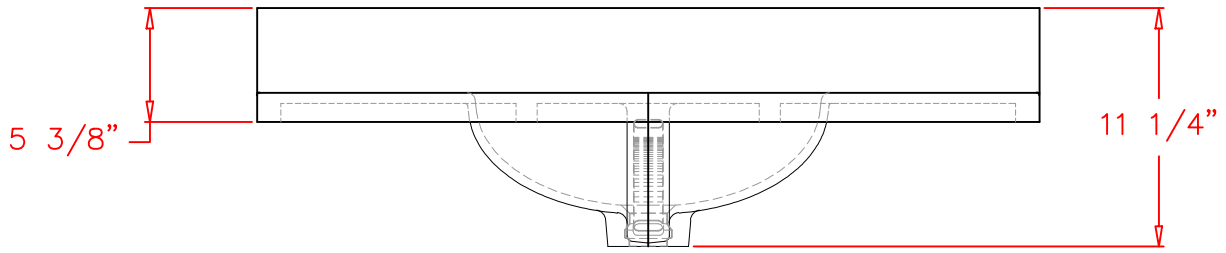
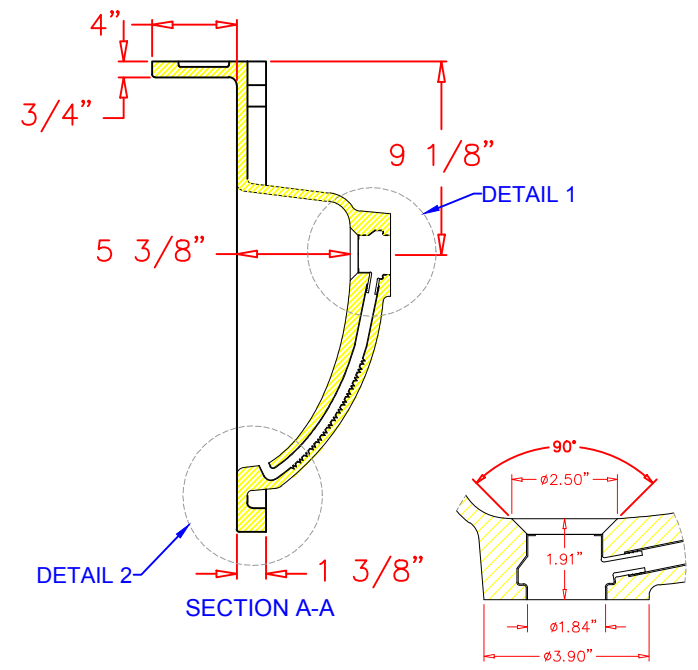
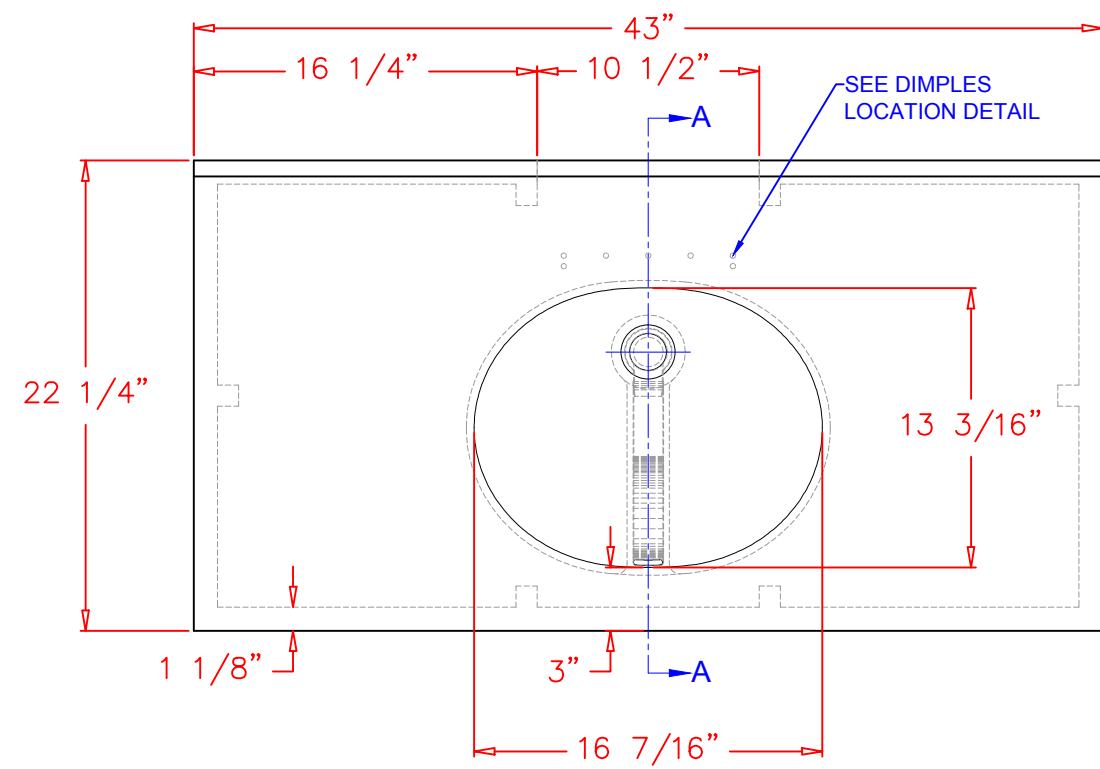


Rev #		
Rev #		



Customer Approval: _____ Date: _____
 Path: @Engineering\

W WILTCHER INDUSTRIES, INC.
 EST. 1969
 5484 NW 80th Ave Rd
 Ocala, FL 34482
 (704) 907 9838
 www.wiltcherindustries.com

Part Number: 7ITB432200	
Description: Integrated Vanity Top 22 1/4" x 43" / Overall Dimensions and Details	
Date Drawn: 03 / 14 / 2013	Weight: _____ Scale: None
Drawn By: Carlos Hernandez	Revised By: _____
Approved By: _____	Date Revised: _____